

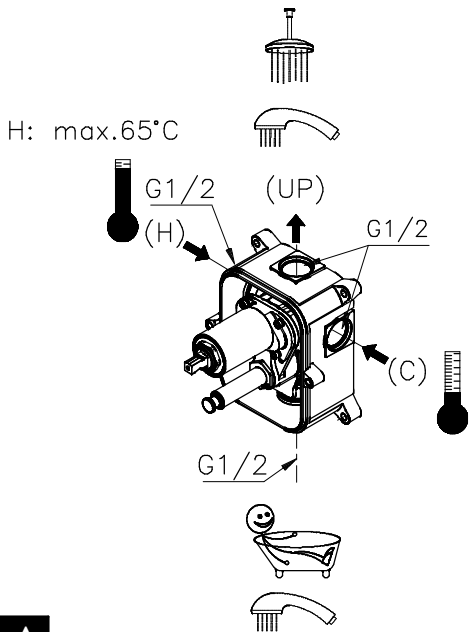
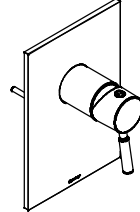
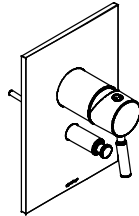
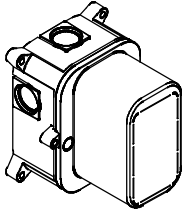
Installationsvejledning
Montageanweisung
Installation instruction
Instructions d'installation
Istruzioni di installazione
Installatie- -instructies
Instrucciones de instalación

damixa™

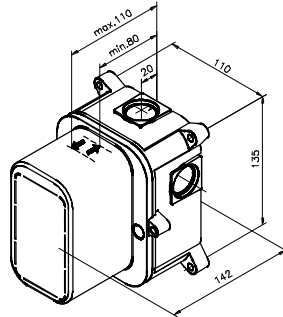
Østbirkvej 2, 5240 Odense NØ, Denmark
 Tel. +45 63 102 210
 E-mail: damixa@fmm-mora.com
 Homepage: www.damixa.com

07.14

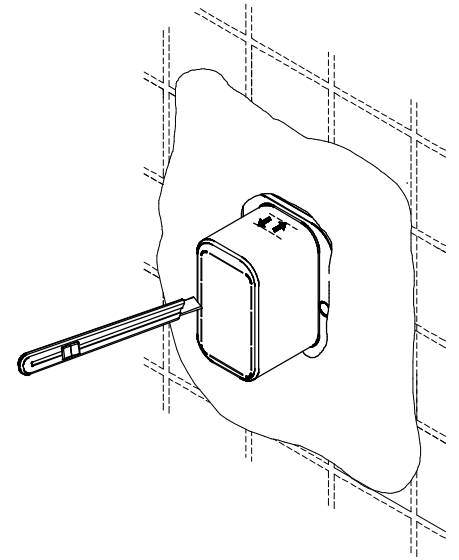
20207.00



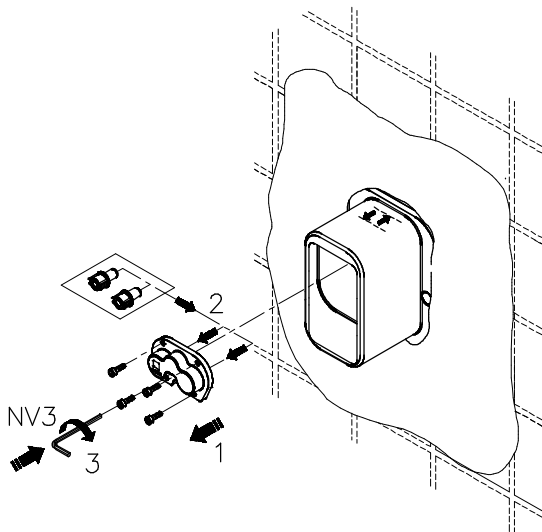
A H,C: 120–600Kpa(1.2–6 bar)



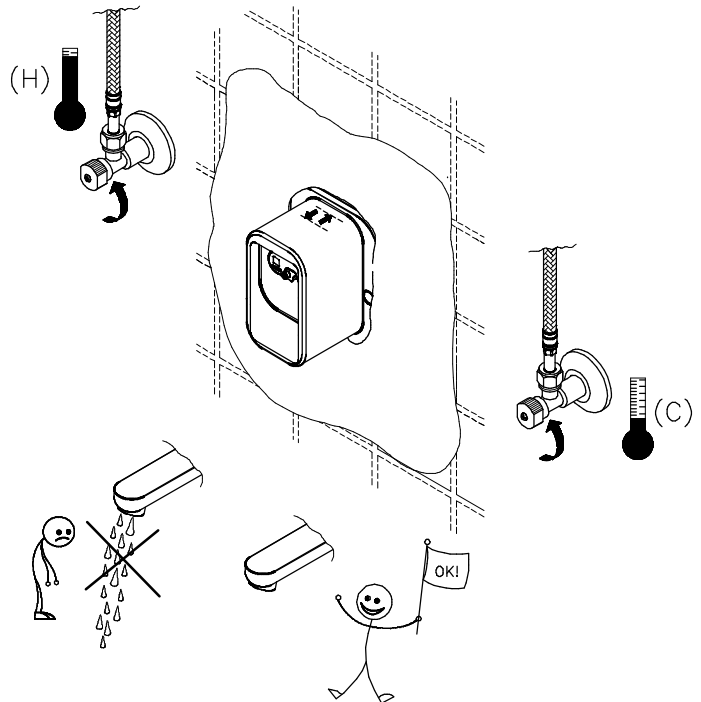
B



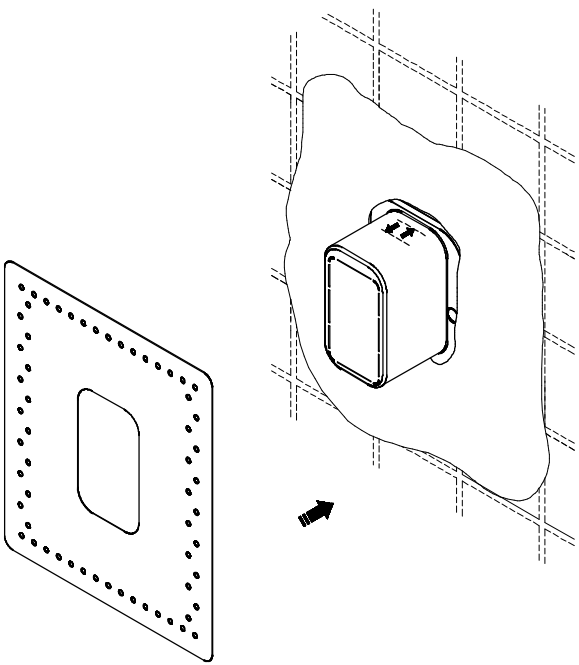
C



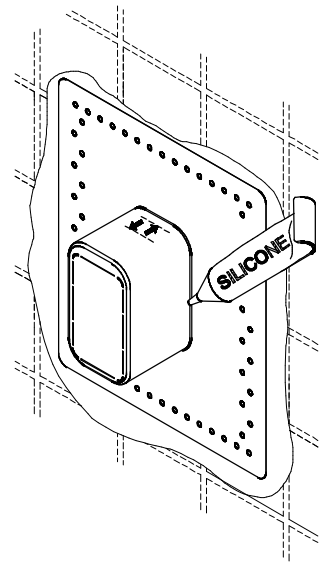
D



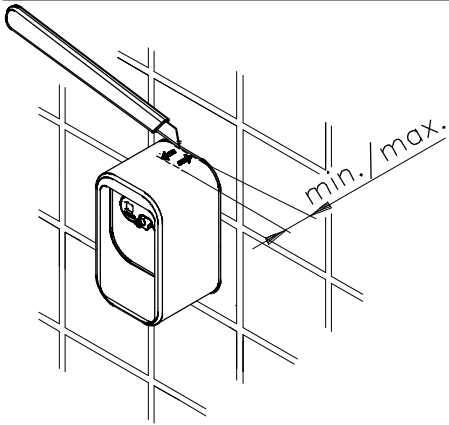
E



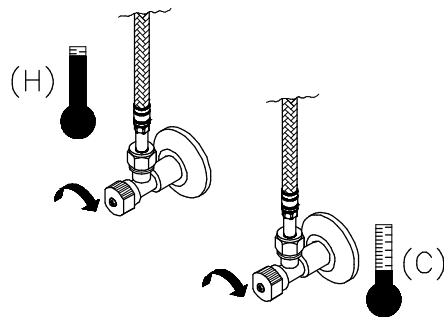
F



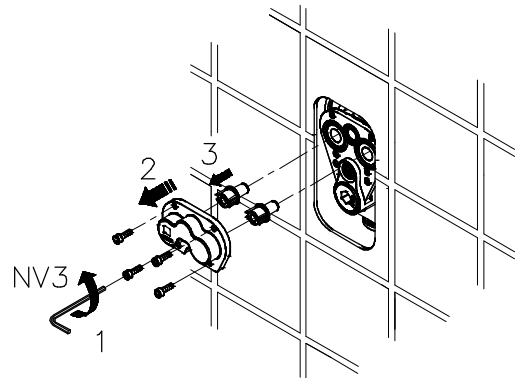
G



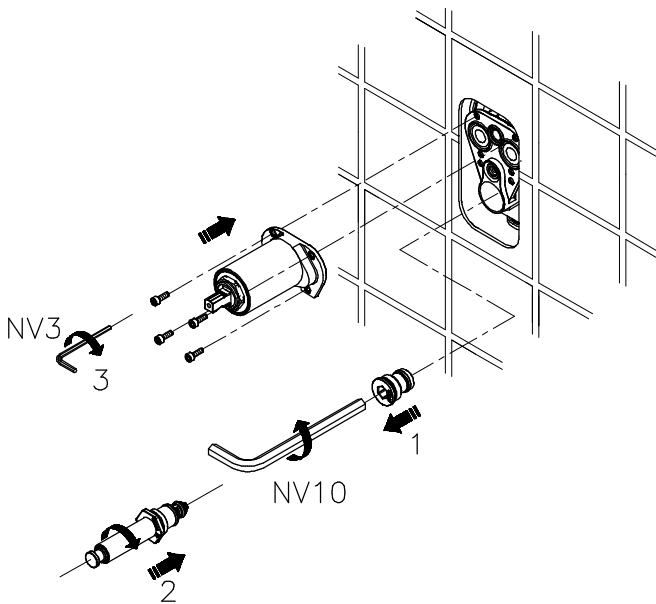
H



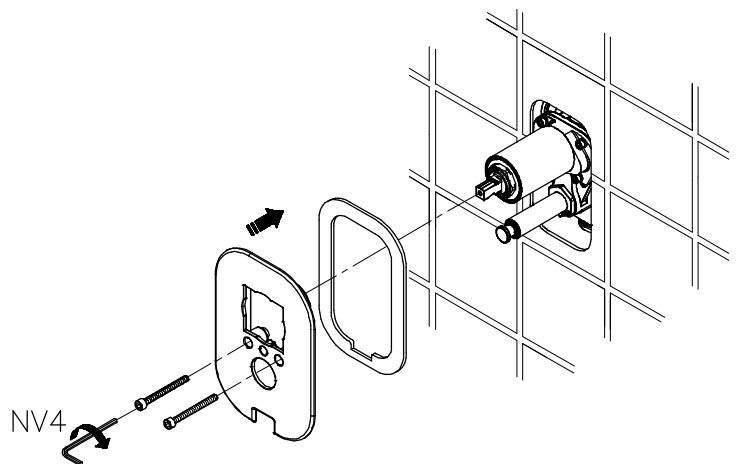
I



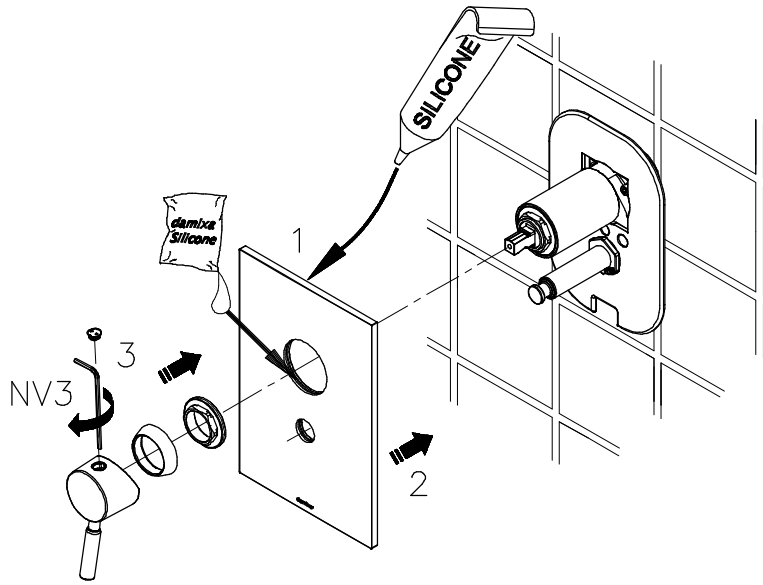
J



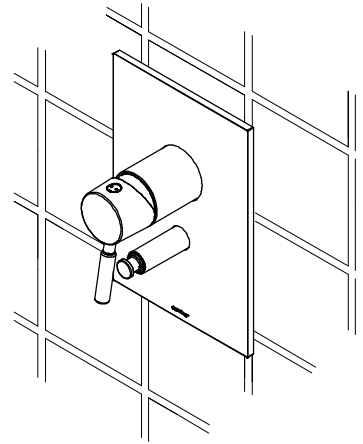
K



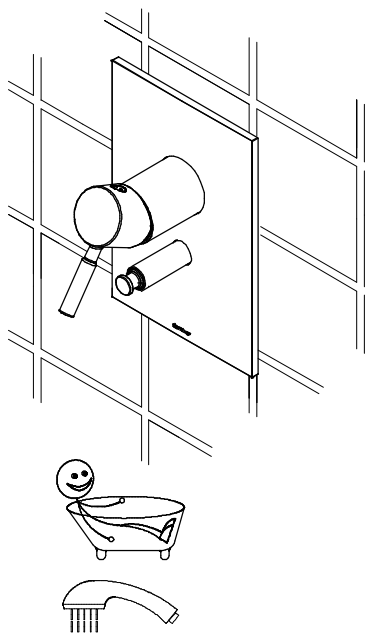
L



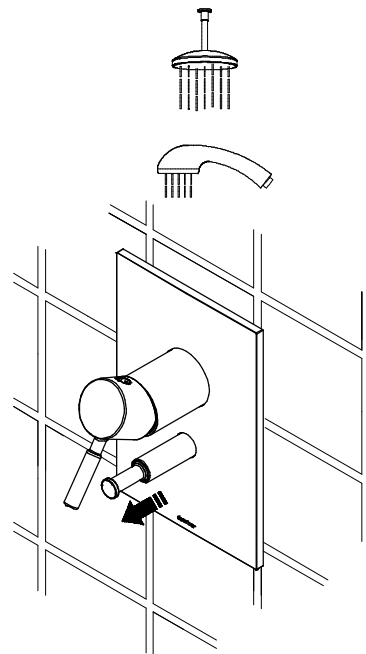
M



N



O



P